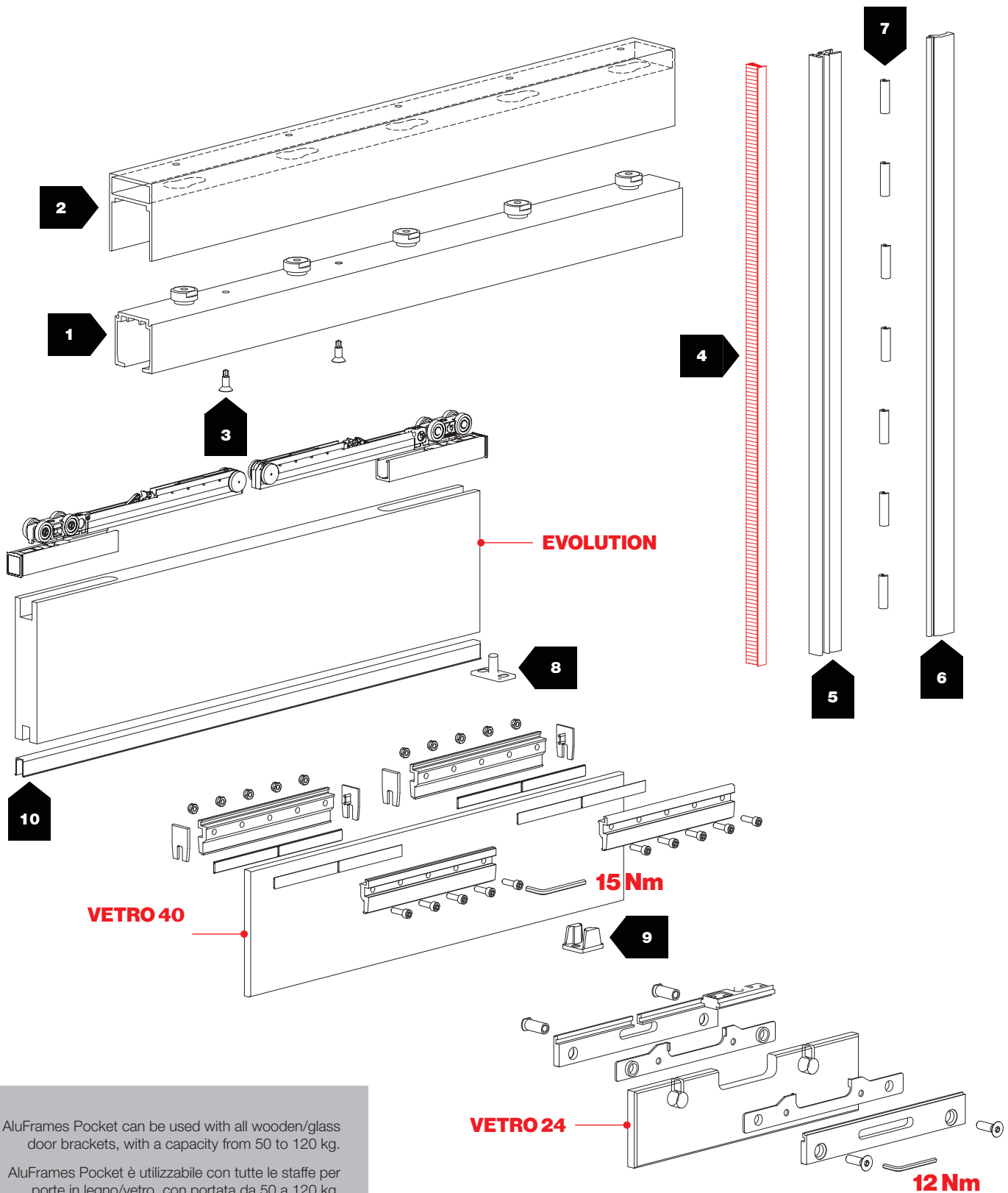


AluFrames Pocket

Rails for counterframes
Binari per controtrelai



AluFrames Pocket can be used with all wooden/glass door brackets, with a capacity from 50 to 120 kg.

AluFrames Pocket è utilizzabile con tutte le staffe per porte in legno/vetro, con portata da 50 a 120 kg.



Max 1250 mm



80 kg

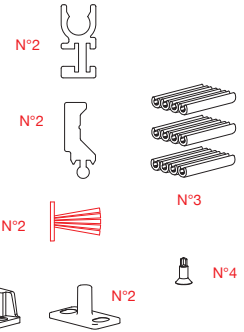
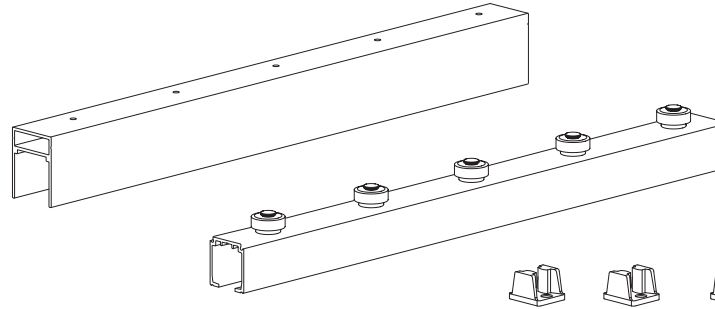
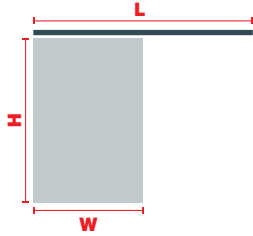


6 mm

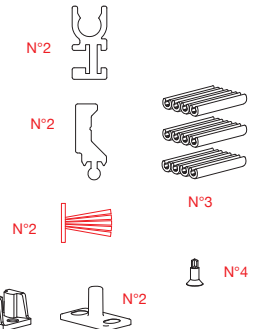
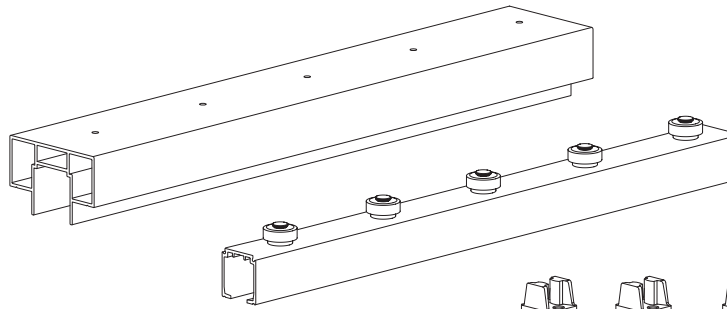
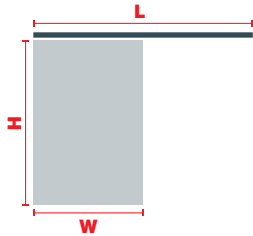
| N° | | | KG | | N° | | | KG | | | | | |
|----------------------|--|--------------------------|----|---|--------|----|---------------------|--|---------------------|----|---|---------|------|
| 1 | | 1280 8 01 0.01280 | | - | 5 | | 199 8 01 0.00199 | | - | | | | |
| | | 3340 8 01 0.03340 | | - | | | 6 | | 198 8 01 0.00198 | | - | | |
| | | 3300 8 01 0.03300 | | - | | | | | 7 | | 1222 | | - |
| | | 3310 8 01 0.03310 | | - | | | | | | | 8 | | 3302 |
| 3320 8 01 0.03320 | | - | 9 | | 3308/8 | | 80 | Glass thk. Vetri sp. 8-8,7 mm 5/16" | | | | | |
| 2 | | 3306 8 01 0.03306 | | | | 80 | 3308/10 | | 80 | 80 | Glass thk. Vetri sp. 10-10,7 mm 3/8" | | |
| | | | | | | | | | | | | 3308/12 | 80 |
| 3 | | 543/11/G 8 23 1.00543 | | - | 10 | | 121 8 23 0.00121 | | 80 | | | | |
| 4 | | | | | | | | | | | | | |

AluFrames Pocket

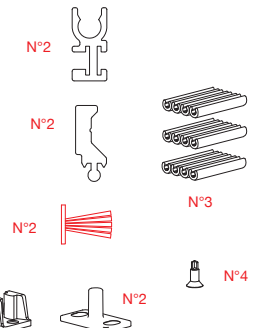
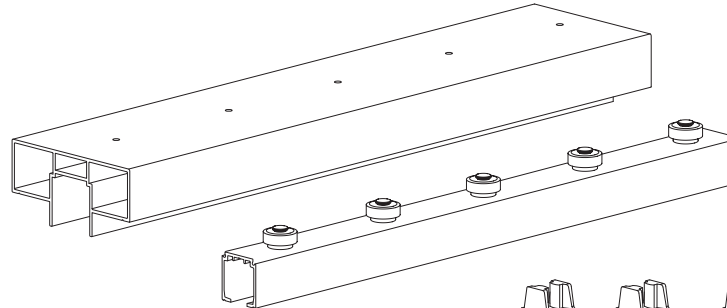
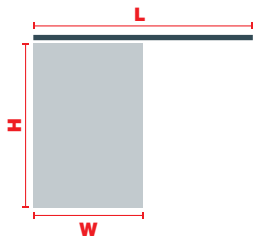
Rails for counterframes
Binari per controtrelai



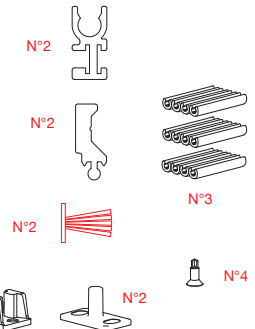
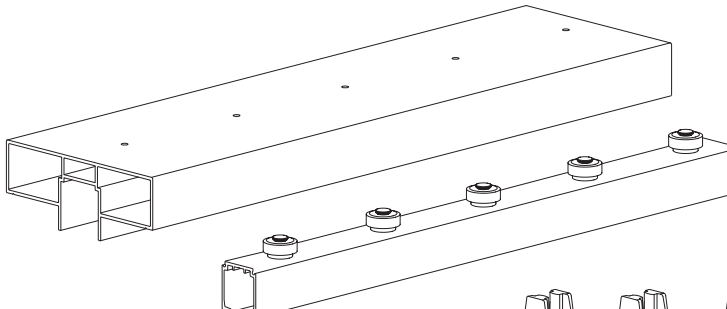
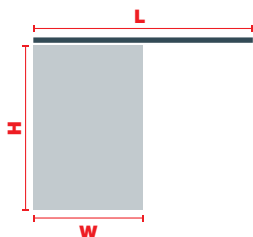
| OLD CODE | NEW CODE | W | L | H | | |
|-----------------|----------|-------------|-------------|-------------|--------------|----|
| POCKET/250/3340 | B.0147.A | Max 1250 mm | Max 2500 mm | Max 2200 mm | 80 kg | 1x |



| OLD CODE | NEW CODE | W | L | H | | |
|-----------------|----------|-------------|-------------|-------------|--------------|----|
| POCKET/250/3300 | B.0147.B | Max 1250 mm | Max 2500 mm | Max 2200 mm | 80 kg | 1x |



| OLD CODE | NEW CODE | W | L | H | | |
|-----------------|----------|-------------|-------------|-------------|--------------|----|
| POCKET/250/3310 | B.0147.C | Max 1250 mm | Max 2500 mm | Max 2200 mm | 80 kg | 1x |

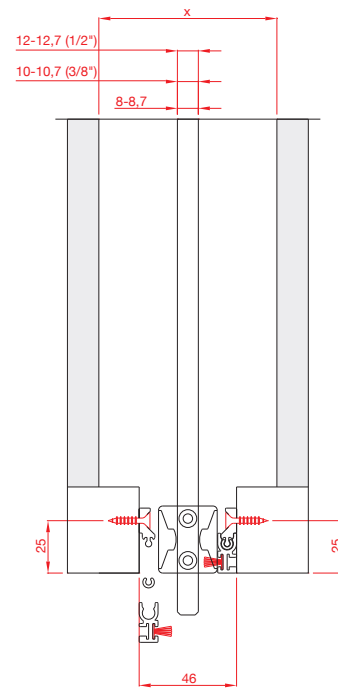
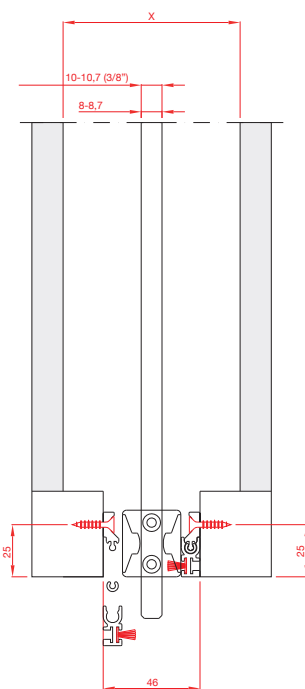
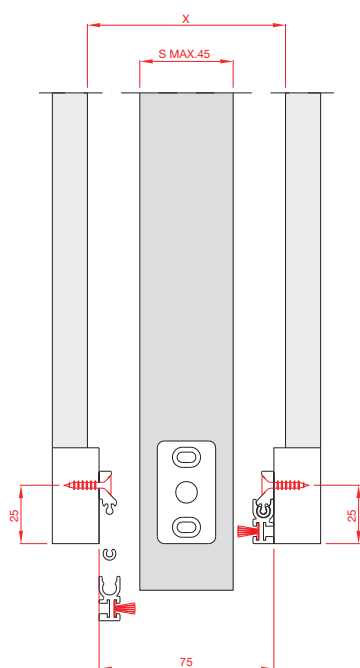
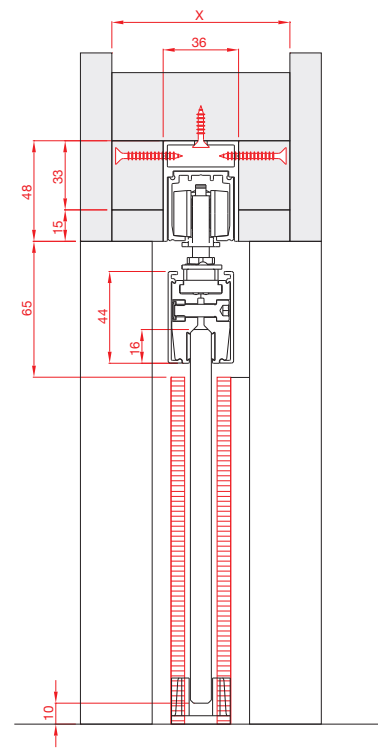
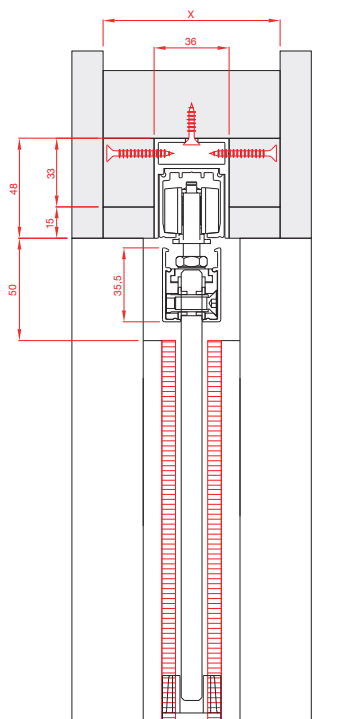
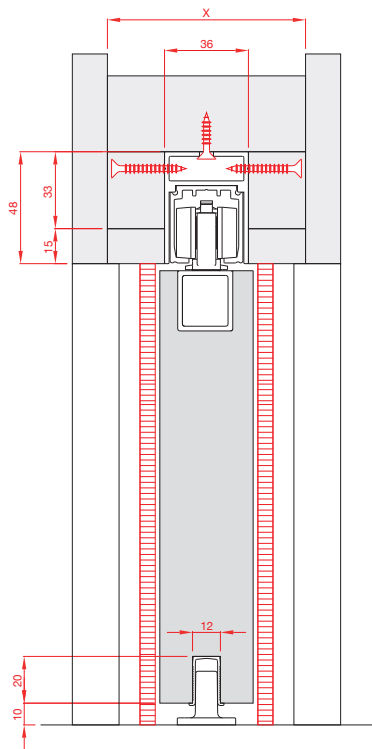


| OLD CODE | NEW CODE | W | L | H | | |
|-----------------|----------|-------------|-------------|-------------|--------------|----|
| POCKET/250/3320 | B.0147.D | Max 1250 mm | Max 2500 mm | Max 2200 mm | 80 kg | 1x |



AVAILABLE ON REQUEST L = 2000 mm E L = 3000 mm
A RICHIESTA, SONO DISPONIBILI L = 2000 mm E L = 3000 mm

ART. 3340 - MEASUREMENTS / MISURE

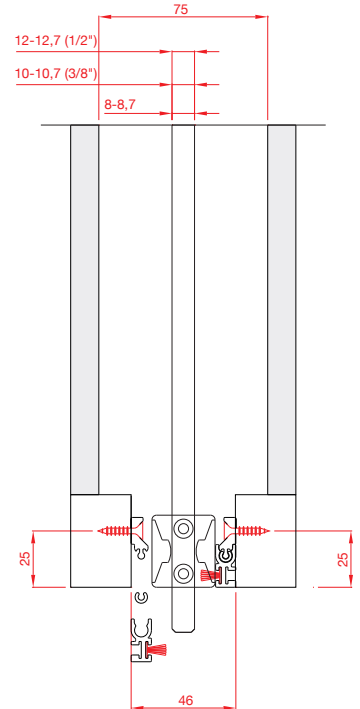
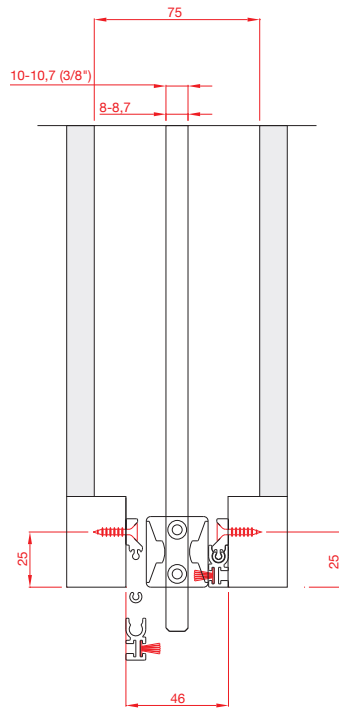
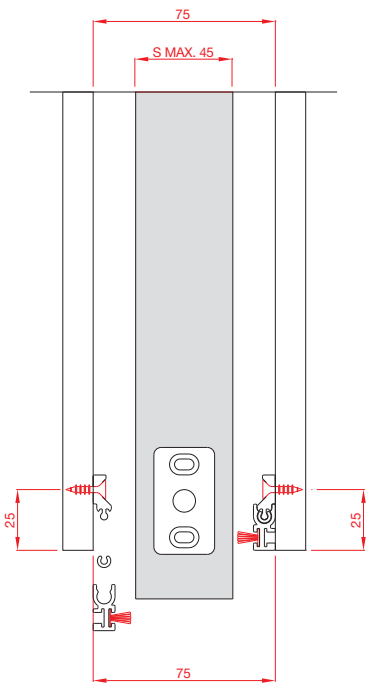
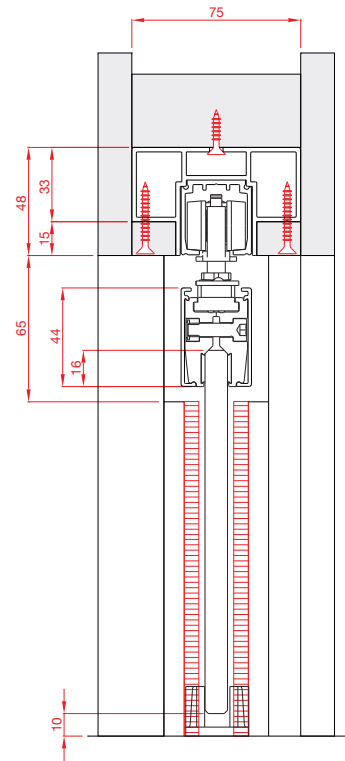
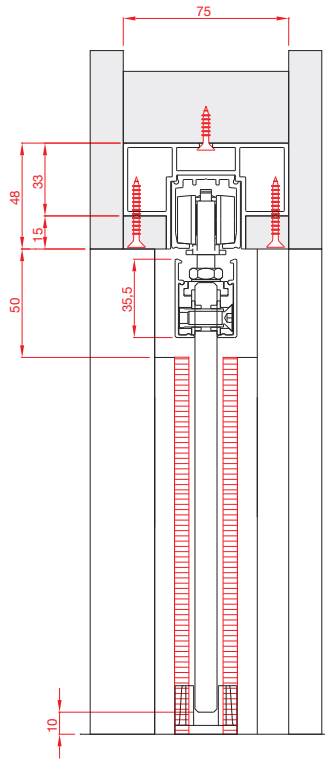
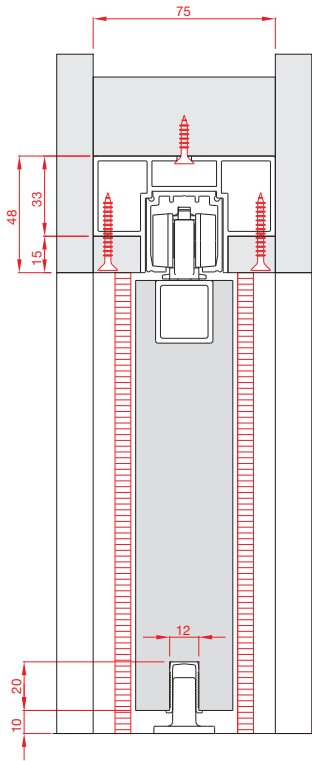


EVOLUTION
(WOOD / LEGNO)

VETRO 40
(GLASS / VETRO)

VETRO 24
(GLASS / VETRO)

ART. 3300 - MEASUREMENTS / MISURE

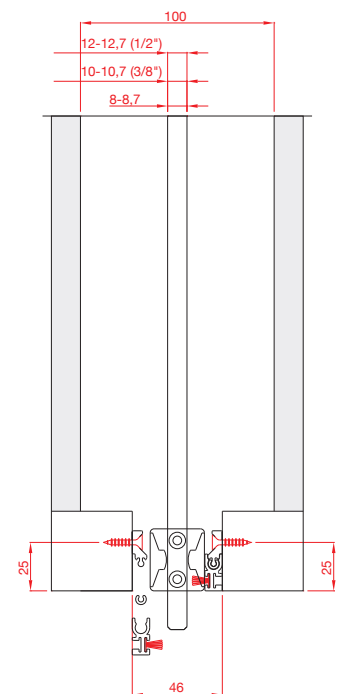
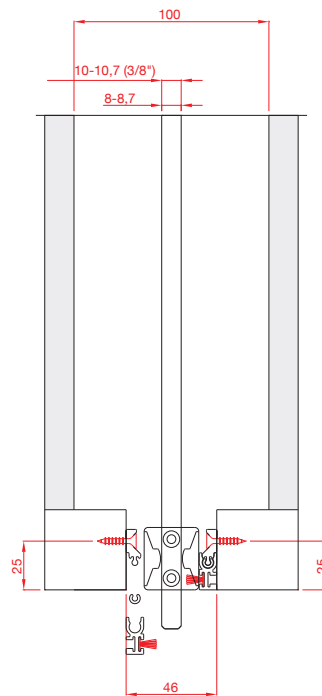
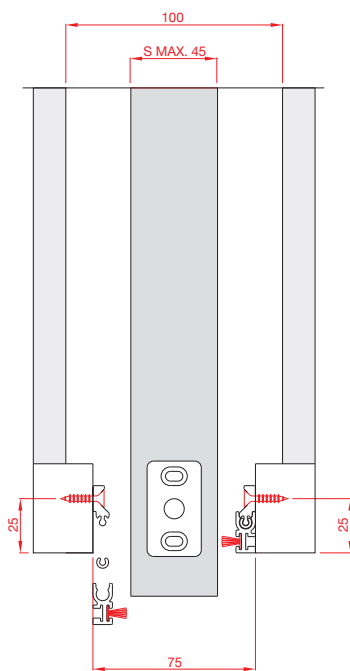
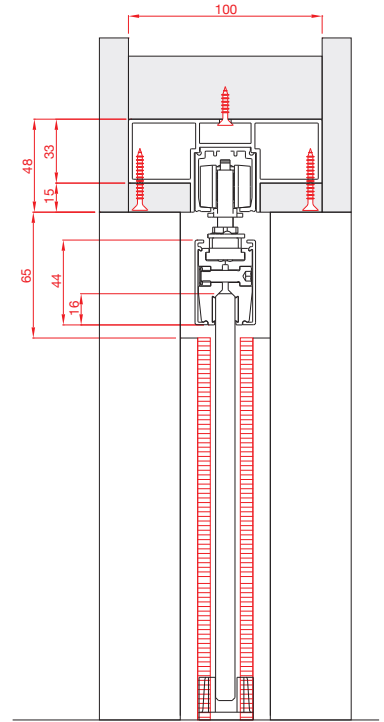
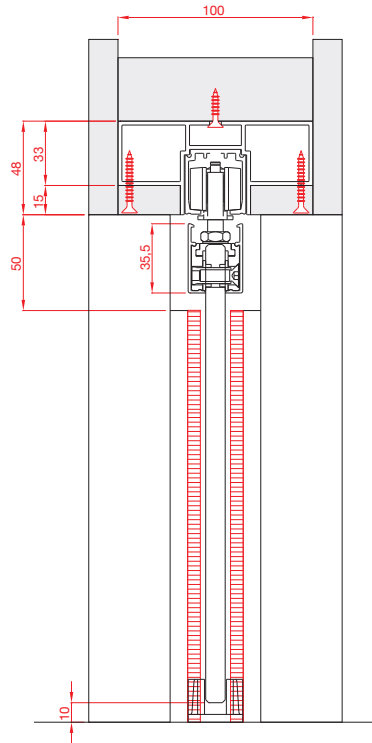
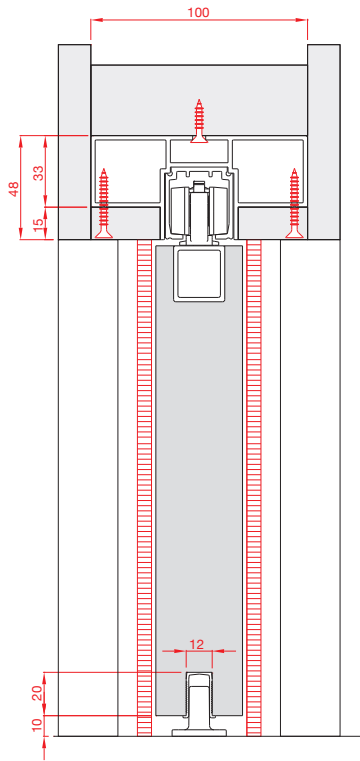


EVOLUTION
(WOOD / LEGNO)

VETRO 40
(GLASS / VETRO)

VETRO 24
(GLASS / VETRO)

ART. 3310 - MEASUREMENTS / MISURE



EVOLUTION
(WOOD / LEGNO)

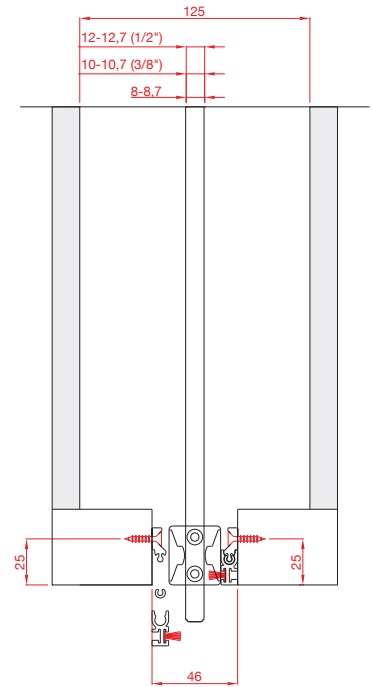
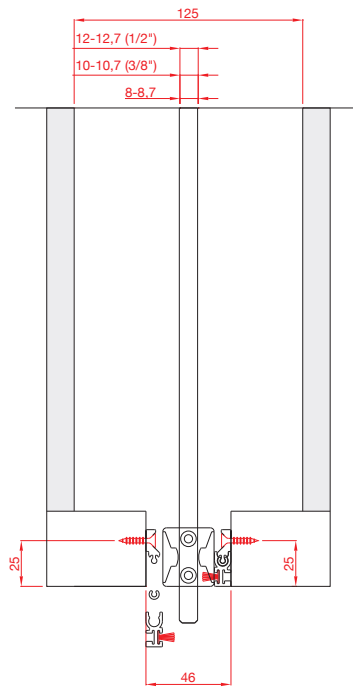
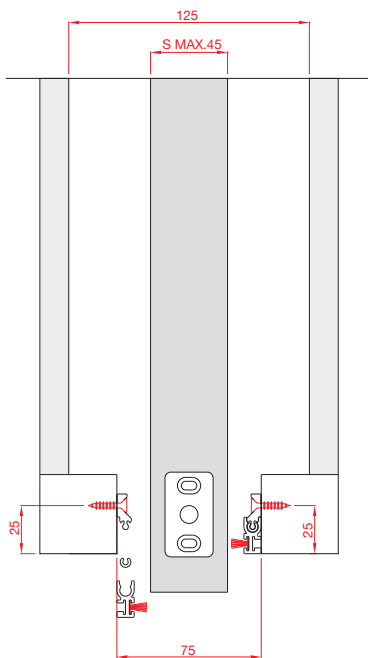
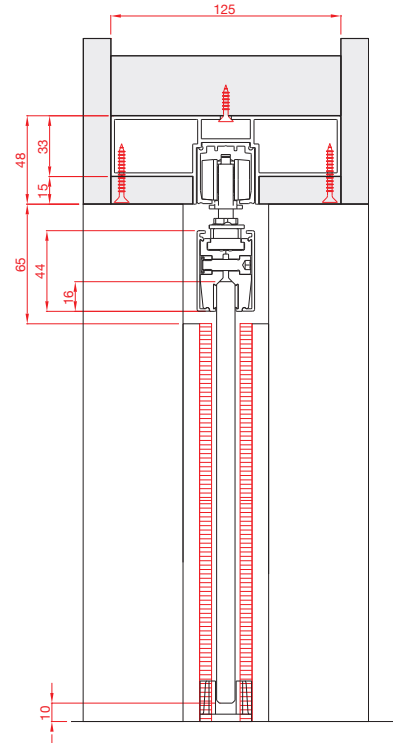
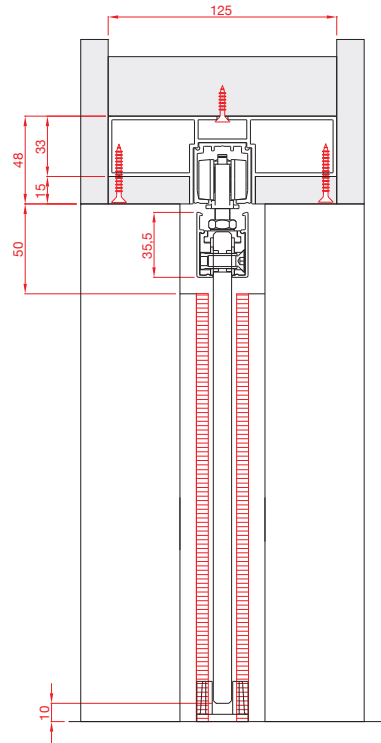
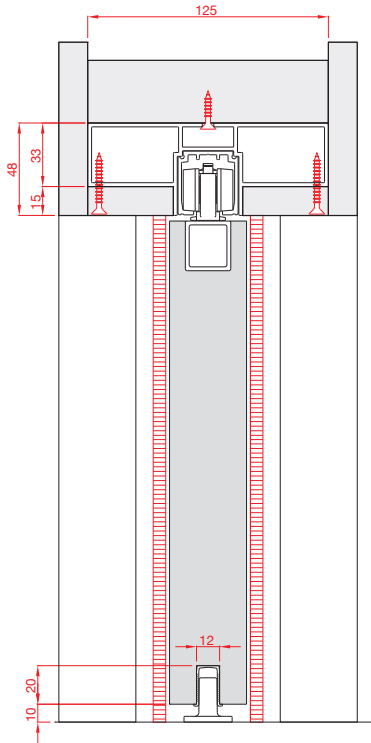
VETRO 40
(GLASS / VETRO)

VETRO 24
(GLASS / VETRO)

AluFrames Pocket

Rails for counterframes
Binari per controlelai

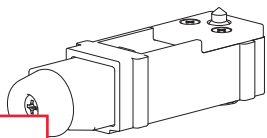
ART. 3320 - MEASUREMENTS / MISURE



EVOLUTION
(WOOD / LEGNO)

VETRO 40
(GLASS / VETRO)

VETRO 24
(GLASS / VETRO)



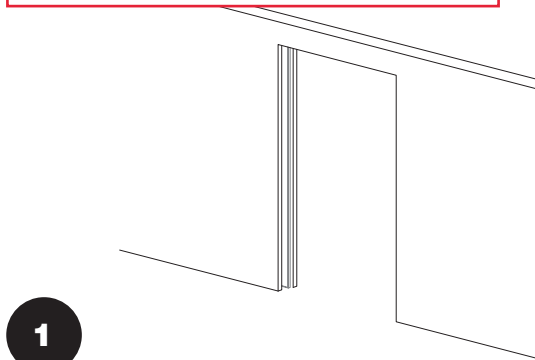
old code



80 kg

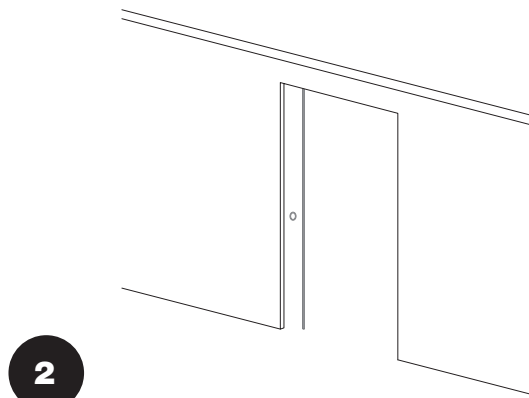
| CODE | The Push&Go bumper can be used with any stopper, trolley and clamp. Il respingente Push&Go può essere utilizzato con qualsiasi fermo, scorrevole e ganascia. |
|----------|---|
| 101/80/G | |

new code
S.101/80/G



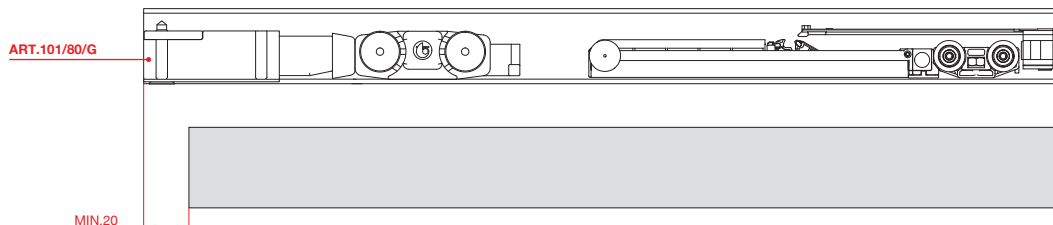
1

The **Push&Go** bumper allows complete door opening.
Il respingente **Push&Go** permette di aprire completamente la porta.

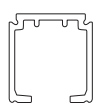


2

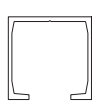
With simple pressure the door will be partially released, getting out from wall.
Con una semplice pressione la porta fuoriesce parzialmente.



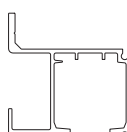
**ALUMINIUM TRACKS SUITABLE FOR THE PUSH&GO BUMPER
BINARI IN ALLUMINIO ADATTI AL RESPINGENTE PUSH & GO**



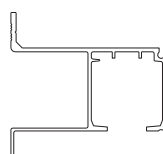
ART. 1280
8 00 0 .01280
8 01 0 .01280



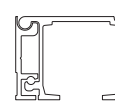
ART. 1080
8 00 0 .01080
8 01 0 .01080



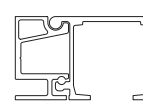
ART. 1359
8 00 0 .01359
8 01 0 .01359



ART. 1559
8 00 0 .01559
8 01 0 .01559



ART. 1700 + 1720
8 00 0 .01700
8 01 0 .01700
8 00 0 .01720
8 01 0 .01720



ART. 1700 + 1710
8 00 0 .01700
8 01 0 .01700
8 00 0 .01710
8 01 0 .01710

Push Magnetic Bumper Respingente

80

80 kg

PATENTED

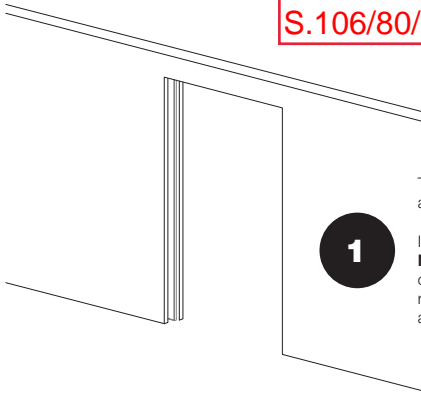
Patented system
Sistema brevettato



| CODE | CODE |
|----------|------|
| 106/80/G | 2411 |

new code
S.106/80/G

S.2411



1

The **Push Magnetic** bumper allows complete door opening.

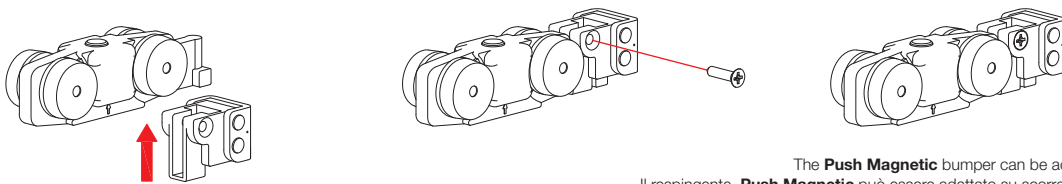
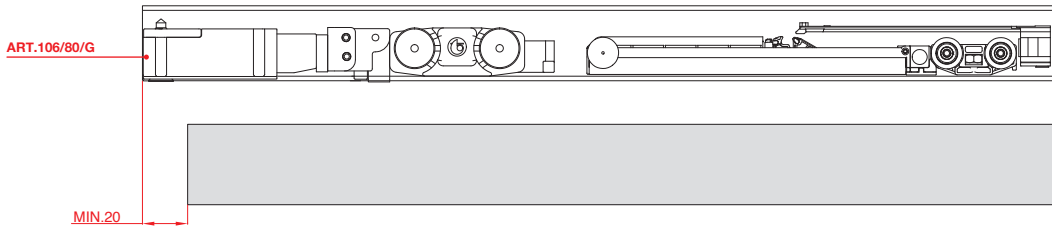
Il respingente **Push Magnetic** permette di aprire completamente la porta rimanendo magneticamente agganciata.



2

With simple pressure the door come out partially.

Con una semplice pressione la porta fuoriesce parzialmente.



The **Push Magnetic** bumper can be adapted to already existing stoppers.
Il respingente **Push Magnetic** può essere adattato su scorrevoli per fermi standard già esistenti.

ALUMINIUM TRACKS SUITABLE TO PUSH MAGNETIC BUMPER BINARI IN ALLUMINIO ADATTI AL RESPINGENTE PUSH MAGNETIC

| | | | | | |
|---------------|---------------|---------------|---------------|------------------|------------------|
| | | | | | |
| ART. 1280 | ART. 1080 | ART. 1359 | ART. 1559 | ART. 1700 + 1720 | ART. 1700 + 1710 |
| 8 00 0 .01280 | 8 00 0 .01080 | 8 00 0 .01359 | 8 00 0 .01559 | 8 00 0 .01700 | 8 00 0 .01700 |
| 8 01 0 .01280 | 8 01 0 .01080 | 8 01 0 .01359 | 8 01 0 .01559 | 8 01 0 .01700 | 8 01 0 .01700 |
| | | | | 8 00 0 .01720 | 8 00 0 .01710 |
| | | | | 8 01 0 .01720 | 8 01 0 .01710 |